

SANITARI PLUS

PRODUCT DESCRIPTION

SANITARI PLUS is a one-part acetoxy silicone sealant, fast curing, mildew resistant.

PRODUCT CHARACTERISTICS

Excellent adhesion to glass, ceramic, porcelain, suitable for sealing baths and kitchens.

TYPICAL USES (professional)

- For perimeter sealing of baths, washbasins, showers, w.c.
- For sealing joints between tiles.
- For sealing sinks, cooktops.



LIMITATIONS

- **SANITARI PLUS** must not be used for insulating glass applications nor for structural glazing bonding.
- It is not recommended for the production of aquaria nor for longterm use under water.
- Not suitable for joints in swimming pools and adjacent areas that are in continuous contact with pool water.
- It should not be used in contact with marble, natural stones.
- It should not be used in contact with metals such as lead, copper, brass or zinc due to acid acetic corrosion.
- It should not be used on substrates such as concrete, fibrous cement and mortar.
- It should not be used on polycarbonate and acrylic sheets.
- It should not be used in contact with materials bleeding oily matters or plasticizers, nor on surfaces to be overpainted.
- It is not suitable for use in food contact applications.
- The sealant is not recommended for use in totally confined joints not exposed to air moisture nor for use in joints submitted to abrasion.
- Do not use in extreme temperature conditions, or on damp, frozen, contaminated surfaces.
- Do not use on excessively acidic or basic substrates.
- It is not suitable for use as a mirror adhesive.
- For any application not listed in this document please contact our Technical Service.

TECHNICAL DATA

Polymers the curing system:	100% silicone, acetoxy
Consistency:	tixotropic, non-slumping paste
Application temperature:	+5°C / +40°C
Specific gravity:	1,01 g/cm ³
Skin forming time (23°C / 50 % R.H.):	20 minutes
Curing time:	1 - 5 days depending on temperature and humidity and on cross section of applied sealant cord
Shore A Hardness (ISO 868):	18
100% Modulus (ISO 8339-A):	0,38 N/mm ²
Tensile strength (ISO 8339-A):	0,7 N/mm ²
Ultimate elongation (ISO 8339-A):	250%
Tear resistance (ISO 34-C):	4,5 N/mm
Service temperature range:	-40°C / +100°C

The values in this table must not be considered as specifications.



SANITARI PLUS

APPROVALS

SANITARI PLUS has been tested and certified by **EUROFINS** according to:

Regulation or protocol	Conclusion	Version of regulation or protocol
French VOC Regulation	A +	Regulation of March and May 2011 (DEVL1101903D and DEVL1104875A)
French CMR components	Pass	Regulation of April and May 2009 (DEVP0908633A and DEVP0910046A)
Italian CAM Edilizia	Pass	Decree 11 October 2017 (GU n.259 del 6-11-2017)
ABG	Pass	Anforderungen an bauliche Anlagen bezüglich des Gesundheitsschutzes (ABG), Entwurf 31.08.2017/August 2018 (AgBB)
Belgian Regulation	Pass	Royal decree of May 2014 (C-2014/24239)
EMICODE *	EC 1 PLUS	apr-19
Indoor Air Comfort®	Pass	Indoor Air Comfort 6.0 of February 2017
Indoor Air Comfort GOLD®	Pass	Indoor Air Comfort GOLD 6.0 of February 2017
Blue Angel (DE-UZ 123)	Pass	DE-UZ 123 for "Low-Emission Sealants for Interior Use", (January 2019)
BREEAM International	Exemplary Level	BREEAM International New Construction v2.0 (2016)
BREEAM® NOR	Pass	BREEAM-NOR New Construction v1.2 (2019)
LEED	Pass	v 4.1 July 2019

* This test report does not alone entitle to use the protected trademark label EMICODE.

Standard compliance



15651-1: F-EXT-INT-CC 25 LM sealant for façade for interior and exterior application (intended for use in cold climates).

EN 15651-2: G-CC 25 LM sealant used for sealing glazing applications (intended for use in cold climates).

EN15651-3: XS 1 sealant for joints in sanitary areas.

METHOD OF USE

Adhesion and surfaces preparation: the surfaces that will be in contact with the sealant must be clean, dry and free of all loose material such as dust, dirt, rust, oil and other contaminants.

Non-porous substrates should be cleaned with a solvent and a clean, lint-free, cotton cloth.

Remove residual solvent before it evaporates with a fresh clean, dry cloth.

SANITARI PLUS has an excellent adhesion to glass, glazed surfaces and to anodized aluminium.

Onto aluminium, stainless steel, painted surfaces and plastics previous testing is recommended and the use of a suitable Primer is suggested. See table of "Primers for silicone sealants".

It is the responsibility of the user to test the compatibility of the sealant with the adjoining materials.

Incompatible substances like coating materials (paints, varnishes and glazes) or organic plasticizer containing rubbers (EPDM, butyl and neoprene) can lead to discoloration or other impairments like loss of adhesion of the sealant.

Materials in direct contact with the applied sealant like cleaning agents and materials in indirect contact like gaseous emissions can damage the sealant in its function or change its appearance.

Because of the multitude of these materials, Fratelli Zucchini S.p.A. cannot make a general statement to the compatibility of materials with the sealant. In case of doubt the user shall conduct appropriate preliminary tests.

The time until complete curing may be extended at lower temperature, lower humidity, increasing film thickness or by low volume of air exchange.

Recommended joint dimension (see picture): joints designed to accommodate movement should have rectangular section and depth at least 5 mm., the joint width at least five times total expected movement and always twice as depth.

For a correct dimensioning of joint cross section insert to the joint back **FILTENE**, a closed cell polyethylene foam release profile.

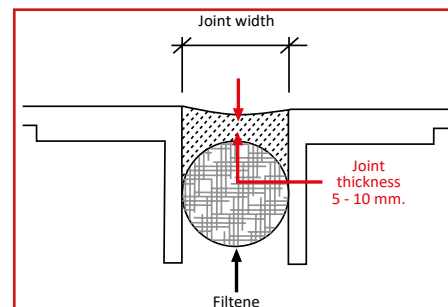
Application: apply by hand or by gun.

Tooling can be carried out soon before curing.

Solvent wiping: dirty tools can be solvent wiped with **SOLVENTE ST/512**.

After curing **SANITARI PLUS** can be removed mechanically.

SANITARI PLUS can't be overpainted.



SAFETY AND HEALTH

See Safety Data Sheet. **SANITARI PLUS** produces acetic acid vapour during cure, avoid inhaling the vapours as well as contact with eyes and skin.



SANITARI PLUS

STORAGE STABILITY

280 ml. cartridge 12 months from the date of manufacture.

600 ml bag. 12 months from the date of manufacture.

20 kg drum 6 months from the date of manufacture.

Store the sealed product in the original packaging, in a dry place at a temperature between +5°C and +25°C.

PACKAGING

Code	Colour	Packaging	Unit
1007448	transparent	280 ml. cartridge	24
1007449	white	280 ml. cartridge	24

Other sizes available on request.



Fratelli Zucchini S.p.A.

Via C. Colombo, 6 Tel. +39 0532 782711 info@zucchini.it
44124 Ferrara - Italy Fax +39 0532 732121 www.zucchini.it

COMPANY WITH
QUALITY SYSTEM
CERTIFIED BY DNV GL
= ISO 9001 =

